



HLS410, HLS610

HLS615, HLS620

HLS810, HLS820

HLS Center

simple setup guide

thank you for choosing JBL. For more than 50 years, JBL has been involved in every aspect of music and film recording and reproduction, from live performances to monitoring the recordings you play in your home, car or office.

We're confident that the JBL loudspeakers you have chosen will provide every note of enjoyment that you expected – and that when you think about purchasing additional audio equipment for your home, car or office, you will once again choose JBL.

Please take a moment to complete the enclosed profile card. It enables us to keep you posted on our latest advancements, and helps us to better understand our customers and build products that meet their needs and expectations.

JBL Consumer Products

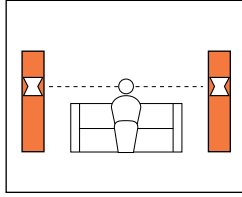
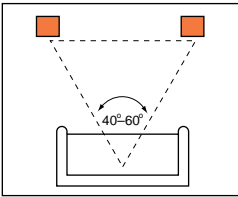
one. Speaker Placement

Proper placement of the speakers is an important step in obtaining the most realistic soundstage possible. These recommendations are for the optimum placement of the

loudspeakers. Use these placement recommendations as a guide. Slight variations will not diminish your listening pleasure.

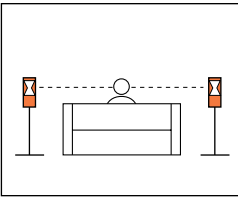
All of the HLS Series loudspeakers are video shielded and can safely be placed near a television.

HLS615, HLS620, HLS820

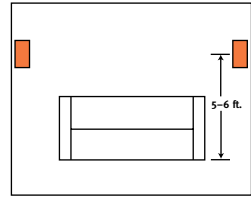
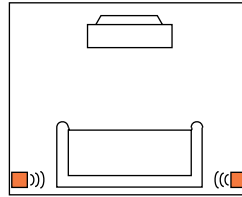


HLS410, HLS610, HLS810

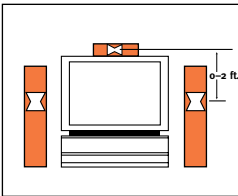
As Front Speakers



As Surround Speakers



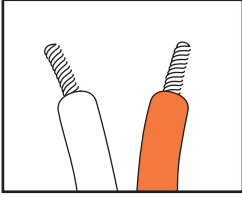
HLS Center



The HLS Center is designed to complement any of the HLS Series loudspeakers. It is the ideal way to re-create the cinematic experience in your home.

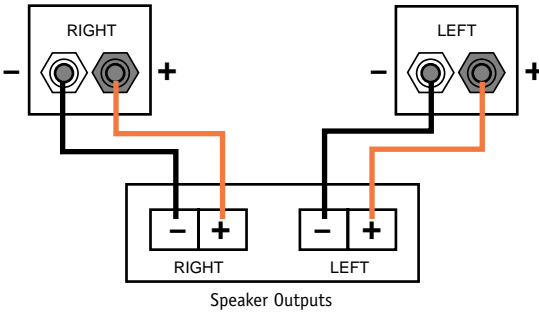
two. Speaker Connections

Connection Tips

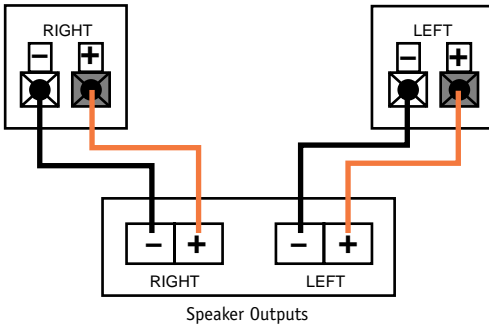


Speakers and electronics terminals have corresponding (+) and (-) terminals. It is important to connect both speakers identically: (+) on the speaker to (+) on the amplifier and (-) on the speaker to (-) on the amplifier. Wiring "out of phase" results in thin sound, weak bass and a poor stereo image.

HLS610, HLS615, HLS620, HLS810, HLS820, HLS Center



HLS410



Troubleshooting

If there is no sound from any of the speakers, check the following:

- Receiver/amplifier is on and a source is playing.
- Review proper operation of your receiver/amplifier.

If there is no sound coming from one speaker, check the following:

- Check the "Balance" control on your receiver/amplifier.
- Check all wires and connections between receiver/amplifier and speakers.
- Make sure all wires are connected. Make sure none of the speaker wires are frayed, cut or punctured.

If the system plays at low volumes but shuts off as volume is increased, check the following:

- Check all wires and connections between receiver/amplifier and speakers.
- Make sure all wires are connected. Make sure none of the speaker wires are frayed, cut or punctured.
- If more than one pair of main speakers is being used, check the minimum impedance requirements of your receiver/amplifier.

If there is low bass output, check the following:

- Make sure the polarities (+ and -) of the left and right "Speaker Inputs" are connected properly.

If there is no sound from the center speaker, check the following:

- Make sure that your receiver's Center Channel Mode is in the "normal" or "wide" position. If it is in the "phantom" position, the center speaker will not play.
- Check all connections between processor/amplifier and the center speaker.

Specifications

| | HLS410 | HLS610 | HLS810 | HLS615 | HLS620 | HLS820 | HLS Center |
|---|---|--|--|---|--|--|--|
| Frequency Response (±3dB) | 75Hz – 20kHz | 55Hz – 20kHz | 50Hz – 20kHz | 45Hz – 20kHz | 42Hz – 20kHz | 40Hz – 20kHz | 80Hz – 20kHz |
| Sensitivity @ 2.83 volts/1 meter | 86dB | 88dB | 89dB | 88dB | 89dB | 90dB | 88dB |
| Recommended Maximum Amplifier Power* | 100 watts | 125 watts | 150 watts | 150 watts | 200 watts | 250 watts | 150 watts |
| Nominal Impedance | 8 ohms | 8 ohms | 8 ohms | 8 ohms | 8 ohms | 8 ohms | 8 ohms |
| Crossover Frequency | 3000Hz | 2700Hz | 2600Hz | 2700Hz | 2700Hz | 2600Hz | 2800Hz |
| Low-Frequency Transducer | 4" polypropylene | 6-1/2" polypropylene | 8" polypropylene | 6-1/2" polypropylene | Dual 6-1/2" polypropylene | Dual 8" polypropylene | Dual 5-1/4" polypropylene |
| High-Frequency Transducer | ← | 10mm polycarbonate dome attached to Constant-Directivity Horn | → | → | → | → | → |
| Dimensions (H x W x D) | 10 x 5-1/2 x 6-1/8" 254 x 140 x 156mm | 16-1/4 x 8-5/16 x 9-7/16" 413 x 211 x 240mm | 19-7/16 x 9-3/4 x 9-3/4" 494 x 248 x 248mm | 31-3/4 x 8-5/16 x 9-7/16" 806 x 211 x 240mm | 35-3/4 x 8-5/16 x 11-7/16" 908 x 211 x 291mm | 39-3/4 x 9-3/4 x 11-7/16" 1010 x 248 x 291mm | 7-1/16 x 20-3/8 x 6-1/2" 179 x 518 x 165mm |
| Weight | 12 lbs/5.5 kg | 14 lbs/6.4 kg | 21 lbs/9.5 kg | 28 lbs/12.7 kg | 35 lbs/15.9 kg | 39 lbs/17.7 kg | 15 lbs/6.8 kg |

Occasional refinements may be made to existing products without notice but will always meet or exceed original specifications unless otherwise stated.

*The maximum recommended amplifier power rating will ensure proper system headroom to allow for occasional peaks.

We do not recommend sustained operation at these maximum power levels.




JBL Consumer Products
250 Crossways Park Drive, Woodbury, NY 11797
8500 Balboa Boulevard, Northridge, CA 91329
1-800-336-4JBL (4525) (USA only)
www.jbl.com

© 1998 JBL, Incorporated. JBL is a registered trademark
of JBL, Incorporated.

8/98  Part No. 332661-002


H A Harman International Company

Declaration of Conformity



We, JBL Europe A/S
Køngensvej 134B
DK-3460 Birkerød
DENMARK

declare in own responsibility, that the loudspeakers
described in this owner's manual are in compliance with
technical standards:
EN 50081-1:1992
EN 50082-1:1992


Steen Michaelsen
JBL Europe A/S
Birkerød, DENMARK, 8/98